

## The not assembled aluminium clamps



Flat surface PV installation



Industrial roof PV installation

### VERSIONS

- Clamps M C and M F in aluminium alloy AW6060 T66 according to UNI EN 755-2:2013

### APPROVALS



### ADVANTAGES

- Full range: the not assembled clamps M C and M F can fasten all PV modules with thickness in range 31+50 mm.

### APPLICATIONS

#### Suitable for:

- Pitched roof system
- Flat surface system
- Industrial roof system
- Corrugated roof system
- Special application system
- Powerskin system

#### To fasten PV modules on the profiles:

- Solar-light
- Solar-fish
- Solar-mid
- Solar-flat
- Solar 40/30

**Anti-theft bronze ball can be used**

### FUNCTIONING

- Use the PV module thickness to choose the right hexagon socket cylindrical head screw TCEI.
- Assembly clamps M C and M F with the channel nut FCN AL using the hexagon socket cylindrical head screw TCEI.
- Put the channel nut of the assembled clamps into the profile upper channel and rotate it clockwise for 90°.
- Fasten the PV module tightening the hexagon socket cylindrical head screw TCEI, applying the right installation torque (10 Nm).
- (Optional) To protect the installation put the anti-theft bronze DAE ball into the screw hexagon socket.

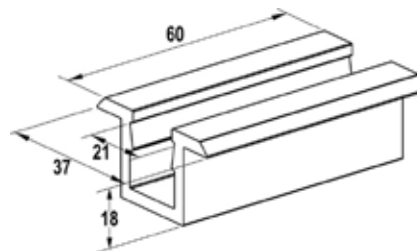
**TECHNICAL DATA**



Not assembled middle clamp **M C**



Not assembled middle black clamp **M C BL**



Item	Art.-No.	Peso W [gr]	PV module thickness d <sub>p</sub> [mm]	Thread M	Screw length l [mm]	Installation torque T <sub>inst</sub> [Nm]	Sales unit [pcs]	GTIN (EAN code)
<b>M C 28-56</b>	<b>571134</b>	36	28 ÷ 34	M 8	35	10	10	8001132711347
			33 ÷ 39		40			
			38 ÷ 44		45			
			43 ÷ 49		50			
			50 ÷ 56		55			
<b>M C 28-56 BL</b>	<b>071775</b>	36	28 ÷ 34	M 8 x	35	10	10	8001132712146
			33 ÷ 39		40			
			38 ÷ 44		45			
			43 ÷ 49		50			
			50 ÷ 56		55			

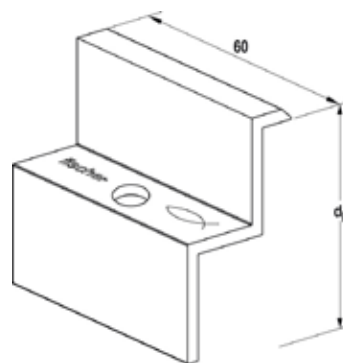
**TECHNICAL DATA**



Not assembled final clamp **M F**



Not assembled final black clamp **M F BL**



Item	Art.-No.	Weight W [gr]	PV module thickness d <sub>p</sub> [mm]	Thread M	Screw length l [mm]	Installation torque T <sub>inst</sub> [Nm]	Sales unit [pcs]	GTIN (EAN code)
<b>M F 34</b>	<b>571122</b>	38	34	M 8	30	10	10	8001132711224
<b>M F 35</b>	<b>071123</b>	38	35	M 8	35	10	10	8001132711231
<b>M F 36</b>	<b>571124</b>	38	36	M 8	36	10	10	8001132711248
<b>M F 38</b>	<b>571125</b>	38	38	M 8	35	10	10	8001132711255
<b>M F 40</b>	<b>571126</b>	38	40	M 8	40	10	10	8001132711262
<b>M F 42</b>	<b>071127</b>	38	42	M 8	40	10	10	8001132711279
<b>M F 44</b>	<b>071128</b>	38	44	M 8	40	10	10	8001132711286
<b>M F 45</b>	<b>071129</b>	38	45	M 8	45	10	10	8001132711293
<b>M F 46</b>	<b>571130</b>	38	46	M 8	45	10	10	8001132711309
<b>M F 50</b>	<b>571132</b>	38	50	M 8	50	10	10	8001132711323
<b>M F 35 BL</b>	<b>071746</b>	38	35	M 8	35	10	10	8001132717462
<b>M F 46 BL</b>	<b>518186</b>	38	46	M 8	45	10	10	8001132027097

## ACCESSORIES



Hexagon socket cylindrical head screw **TCEI A2**

Channel nut **FCN AL**

Item	Art.-No.	Thread	Screw length	Hexagon socket	Sales unit	GTIN (EAN code)
		M	l [mm]	○HW	[pcs]	
<b>TCEI M 8 x 20 mm A2</b>	<b>071984</b>	M 8	20	6	50	8001132719848
<b>TCEI M 8 x 30 mm A2</b>	<b>571138</b>	M 8	30	6	50	8001132711385
<b>TCEI M 8 x 35 mm A2</b>	<b>071277</b>	M 8	35	6	50	8001132712771
<b>TCEI M 8 x 40 mm A2</b>	<b>571139</b>	M 8	40	6	50	8001132711392
<b>TCEI M 8 x 45 mm A2</b>	<b>071278</b>	M 8	45	6	50	8001132712788
<b>TCEI M 8 x 50 mm A2</b>	<b>571140</b>	M 8	50	6	50	8001132711408
<b>TCEI M 8 x 55 mm A2</b>	<b>071286</b>	M 8	55	6	50	8001132712863
<b>TCEI M 8 x 65 mm A2</b>	<b>071985</b>	M 8	65	6	50	8001132719855
<b>TCEI M 8 x 70 mm A2</b>	<b>071986</b>	M 8	70	6	50	8001132719862
<b>FCN AL M 8</b>	<b>571165</b>	M 8	-	-	50	8001132711651

## ACCESSORIES



Anti-theft bronze ball **DAE**

Item	Art.-No.	Diameter	Sales unit	GTIN (EAN code)
		∅ [mm]	[pcs]	
<b>DAE</b>	<b>071587</b>	6	100	8001132715871