

## The most lightweight 10°-15 ° aerodynamic system for flat roof without drilling for South landscape photovoltaic installation



Solar-Wind System South SW-S



Solar-Wind System South SW-S

### VERSIONS

- brackets in aluminium AW 6060 T66/T5 according to EN 755-2:2013
- bolts and nuts in stainless steel A2-70 according to EN ISO 3506-1/2:2009

### ADVANTAGES

- No drilling: Solar-Wind South System does not need to drill the roof. The system is blocked using small concrete ballasts.
- Quick: the installation time is about 10 minutes per kWp.
- Light: the reduced photovoltaic panel tilt (10° and 15°) and the rearward sheet metal cover reduce the effect of wind load and therefore reduce the number of required concrete ballasts.
- Complete range: the system is available for a wide range of photovoltaic panels (width 950÷1020 mm x height 1630÷1675 mm).
- Easy: the system is modular, thus allowing a photovoltaic panels layout extremely flexible.
- Safe: the special central clamp allows to the photovoltaic installation to be grounded.
- Designable: the required number of ballasts is calculable depending on wind load for installation site, according National Regulations.

### APPLICATIONS

#### Suitable for:

**Solar-Wind System** (flat roof without drilling)

#### Allowable configurations:

- 1 module - landscape disposition

### FUNCTIONING

- Adjust the PV installation layout depending on roof edge distances and roof obstacles.
- Calculate the correct number of ballast SW BALLAST for each element (brackets or ballast trays) depending on snow and wind loads for installation site, according National Regulations.
- Place the front brackets SW BF and the brackets SW-S B.. (middle and end) on the roof, as shown in the project.
- Put the photovoltaic modules on the brackets and fasten them using clamps SW-MC and SW-MF.
- Fix the metal sheet covers SW-S CARTER on middle brackets SW-S BM and on end brackets SW-S BE to reduce the effect of wind action.
- Place the concrete ballasts SW BALLAST as shown in the project. Protect the roof setting the protective pad SW PAD under the ballasts.
- For snow load higher than 2,40 kN/m<sup>2</sup> use front reinforcement brackets SW-S BF SNOW and back reinforcement brackets SW-S BB SNOW.



## TECHNICAL DATA



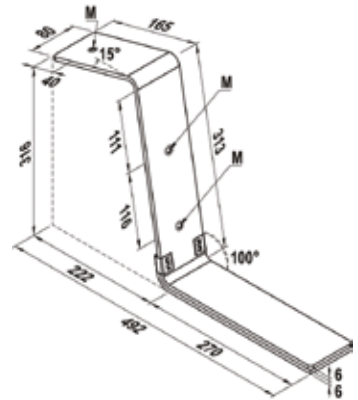
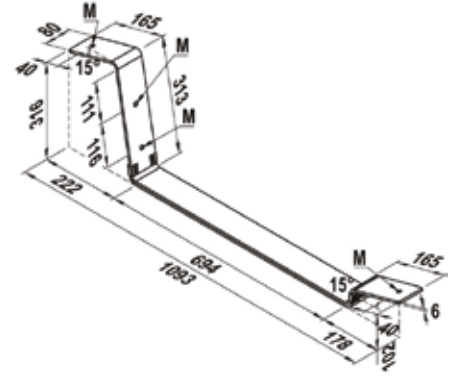
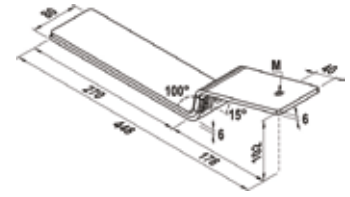
Front bracket Solar-Wind South 15°  
**SW-S BF 15°**



Middle bracket Solar-Wind South 15°  
**SW-S BM 15°**



End bracket Solar-Wind South 15°  
**SW-S BE 15°**



Item	Art.-No.	Weight		Thickness	Thread	Fits	Sales unit	GTIN (EAN code)
		W [kg]	s [mm]	M	[pcs]			
<b>SW-S BF 15°</b>	<b>524177</b>	0,82	6	M 8	Solar-Wind South 15°	1	8001132035900	
<b>SW-S BM 15°</b>	<b>524178</b>	2,27	6	M 8	Solar-Wind South 15°	1	8001132035924	
<b>SW-S BE 15°</b>	<b>524179</b>	1,16	6	M 8	Solar-Wind South 15°	1	8001132035948	

## ACCESSORIES SW-S 15°



Front reinforcement bracket  
**SW-S BF 15° SNOW**



Back reinforcement bracket  
**SW-S BB 15° SNOW**



Back carter **SW-S CARTER 15°**

Item	Art.-No.	Weight	Width	Length	Height	Sales unit	GTIN (EAN code)
		W [kg]	b [mm]	l [mm]	h [mm]		
<b>SW-S BF 15° SNOW</b>	<b>524181</b> 1)	0,45	80	256	73	1	8001132035962
<b>SW-S BB 15° SNOW</b>	<b>524182</b> 1)	0,90	80	99	316	1	8001132036044
<b>SW-S CARTER 15°</b>	<b>534132</b> 2)	2,47	-	1775	-	1	8001132048771

1) Use for snow load  $\geq 2,40 \text{ kN/m}^2$ . Place the bracket on the middle of PV panel frame and fix it with final clamp SW-MF and screw SW M 8 x 25.

2) Fix on middle brackets SW-S BM and on end brackets SW-S BE with screws SW M 8 x 25.

## ACCESSORIES



Concrete ballast **SW BALLAST**



Protection pad **SW PAD**

Item	Art.-No.	Weight	Width	Length	Height	Sales unit	GTIN (EAN code)
		W [kg]	b [mm]	l [mm]	h [mm]		
<b>SW BALLAST</b>	<b>524188</b>	9	200	400	50	1	8001132036174
<b>SW PAD</b>	<b>524202</b>	-	50	150	11	1	8001132036372

## ACCESSORIES



Ballast tray **SW BT**



Ballast tray **SW BT PLUS**

Item	Art.-No.	Weight	Width	Length	Sales unit	GTIN (EAN code)
		W [kg]	b [mm]	l [mm]		
<b>SW BT</b>	<b>536404</b>	1,49	237	835	1	8001132055748
<b>SW BT PLUS</b>	<b>536409</b>	3,00	237	1775	1	8001132055755

## ACCESSORIES



Cylindrical head screw **SW M 8 x ..**

Flathead screw **SW M 8 x ..**

Washer **SW WASHER**

Cylindrical nut **M 8**

Cap nut **M 8**

Item	Art.-No.	Thread	Length	Installation torque	Width across the nut (hexagon socket)	Washer (external diameter x thickness)	Sales unit	GTIN (EAN code)
		M	l [mm]	T <sub>inst</sub> [Nm]	○SW			
<b>SW M 8 x 25 mm A2</b>	<b>524201</b>	M 8	25	10	6		100	8001132036365
<b>SW M 8 x 30 mm A2</b>	<b>536416</b>	M 8	30	10	6		100	8001132055823
<b>SW M 8 x 35 mm A2</b>	<b>536417</b>	M 8	35	10	6		100	8001132055830
<b>SW M 8 x 40 mm A2</b>	<b>524200</b>	M 8	40	10	6		100	8001132036334
<b>SW M 8 x 45 mm A2</b>	<b>536418</b>	M 8	45	10	6		100	8001132055847
<b>SW M 8 x 16 mm A2 flathead</b>	<b>536414</b>	M 8	16	10	6		100	8001132055809
<b>SW M 8 x 20 mm A2 flathead</b>	<b>536415</b>	M 8	20	10	6		100	8001132055816
<b>SW WASHER</b>	<b>524205</b>	-	-	-	-	16 x 1,6	100	8001132036488
<b>SW Cylindrical nut M 8 A2</b>	<b>536413</b>	M 8	-	-	-		100	8001132055793
<b>SW Cap nut M 8 A2</b>	<b>536412</b>	M 8	-	-	-		100	8001132055786

## ACCESSORIES



Clip locks Carter **SW Clip**



Cable tie **SW CABLE TIE**

Item	Art.-No.	Sales unit	GTIN (EAN code)
<b>SW CLIP</b>	<b>524203</b>	100	8001132036389
<b>SW CABLE TIE</b>	<b>524204</b>	100	8001132036426